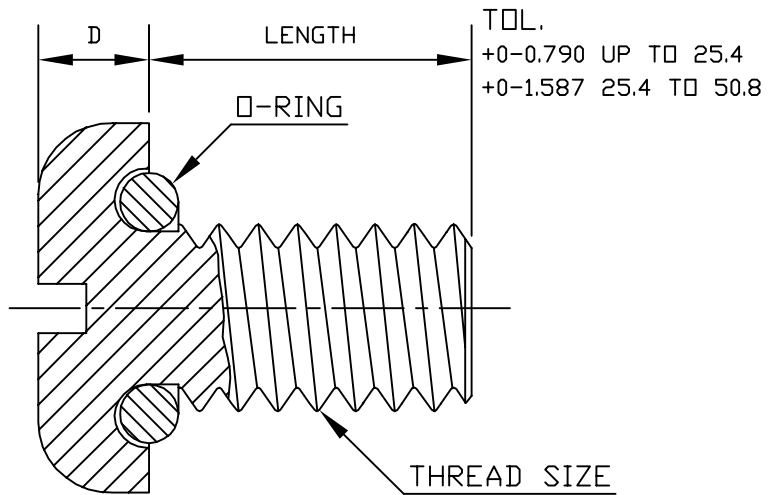
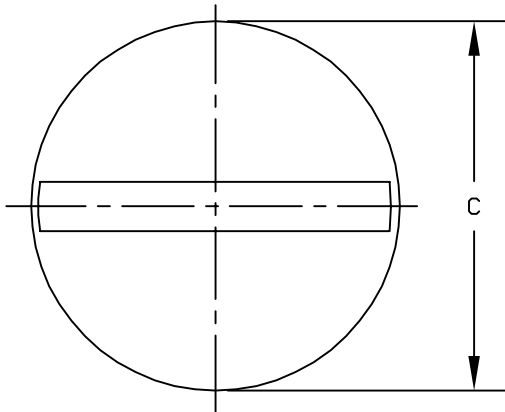
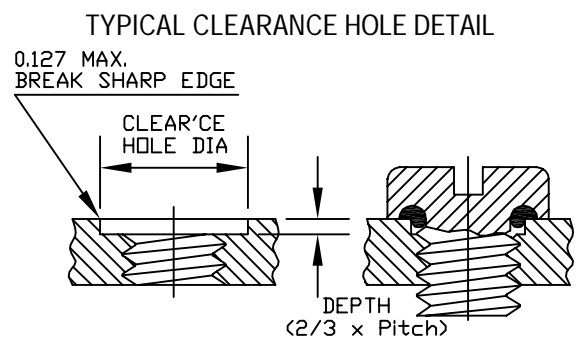


ALL DIMENSIONS IN MILLIMETERS



THREAD SIZE	C max	D max	RECOM. CLEAR. HOLE		LENGTH
			MIN.	MAX.	
M 2x0.4	4.242	1.372	2.310	2.410	4 to 12 mm
M 2.5x0.45	5.563	1.727	2.930	3.030	4 to 12 mm
M 3x0.5	6.223	1.905	3.550	3.650	4 to 40 mm
M 3.5x0.6	7.518	2.261	3.970	4.095	4 to 40 mm
M 4x0.7	8.179	2.438	4.390	4.540	4 to 40 mm
M 5x0.8	9.703	3.048	5.560	5.685	6 to 40 mm
M 6x1	12.497	3.734	6.730	6.830	6 to 50 mm
M 8x1.25	15.621	4.521	8.450	8.550	6 to 50 mm
M 10x1.5	19.685	5.588	10.530	10.640	6 to 50 mm
M 12x1.75	25.273	7.112	12.790	12.900	6 to 50 mm



STANDARD SPECIFICATIONS & COMMON OPTIONS (HOW TO ORDER)

STD. SCREW MATERIAL: TYPE 18/8 STAINLESS STEEL PER DFARS (OTHER MATERIALS AVAILABLE)
 STD. SCREW FINISH: NATURAL (PASSIVATED PER MIL-STD-171 UNLESS OTHERWISE SPECIFIED)
 STD. O-RING MATERIAL: SILICONE RUBBER (SEE TABLE FOR O-RING OPTIONS)

SAMPLE CATALOG NO.		SM2X8-2701-BLKOX
SCREW TYPE	SM	PAN HEAD WITH SLOTTED RECESS
THREAD	2	ENTER BASIC THREAD SIZE
	X	
LENGTH	8	ENTER LENGTH
O-RING SUFFIX	-2701	ENTER FROM TABLE
OPTIONS	-BLKOX	ENTER FROM TABLE

AVAILABLE O-RING MATERIALS		
Compound Suffix	Material	Service Temp.
-2701	Silicone Rubber	-150°F to 500°F -101°C to 260°C
-2615	Fluoro-Silicone Rubber	-78°F to 450°F -61°C to 232°C
-5701	Viton® A	-20°F to 400°F -29°C to 204°C
-4601	Buna N (NBR)	-65°F to 250°F -54°C to 121°C
-3701	Neoprene (EPR)	-65°F to 300°F -54°C to 149°C
-7601	Ethylene Propylene (EPDM)	-65°F to 300°F -54°C to 149°C

COMMON OPTIONS	
SUFFIX	DESCRIPTION
-BLKOX	BLACK OXIDE PER MIL-C-13924A, CLASS 2
-NY	LOCKING NYLON PELLET
-LY	LOCKING NYLON STRIP
-TP	LOCKING NYLON STD. PATCH
-HTP	HIGH TEMP. LOCKING NYLON PATCH

I	ADDED "PER DFARS" FOR THE SCREW MATERIAL	S. GOK	07.02.09
H	NEW DRAWING FORMAT	S. GOK	01.21.09
G	CHANGED TABLE, ADDED M2.5, M3.5, M5, M8, M10, M12	S. GOK	09.09.08

REV.	DESCRIPTION	DATE
	TITLE: SEELSKREW ®, PAN HEAD METRIC, SLOTTED	12.16.58
	APM-HEXSEAL CORPORATION	
	SCALE	DWG. NO. SM-0000-00-00

THIS DRAWING COVERS PROPRIETARY ITEM AND IS THE PROPERTY OF THE APM-HEXSEAL CORPORATION.
 THIS DRAWING IS NOT TO BE COPIED OR USED WITHOUT THE WRITTEN APPROVAL OF AN OFFICER OF THE APM-HEXSEAL CORPORATION.